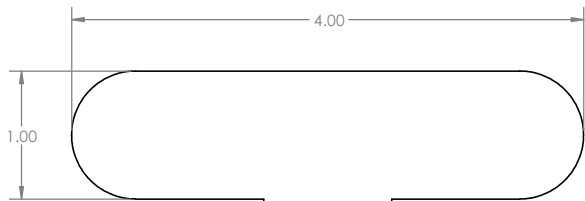


4

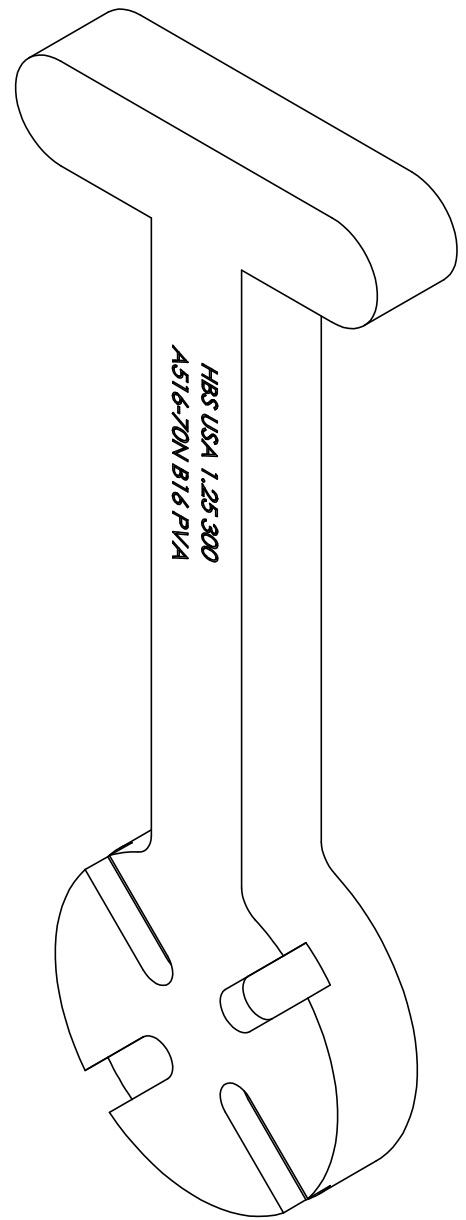
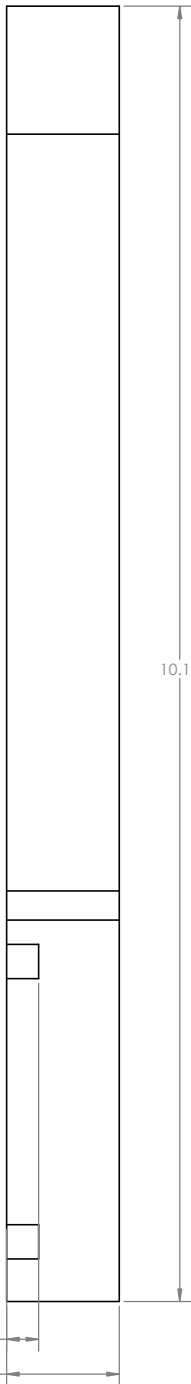
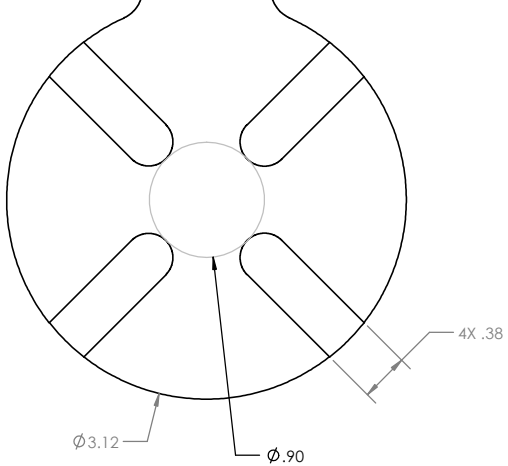
3

2

1



HBS USA 1.25 300  
A516-70N B16 PVA



HBS USA 1.25 300  
A516-70N B16 PVA

DO NOT SCALE PRINT		UNLESS OTHERWISE SPECIFIED: OUTSIDE DIAMETER: (+/-0.12) INSIDE DIAMETER: (+/-0.12) THICKNESS TOLERANCES (-ZERO +0.12) ALL UNITS IN INCHES OR POUNDS		
		SHEET 1 OF 1		
MATERIAL: CUSTOMER REQUESTED		DATE: 08/06/2020		DRAWING TITLE: 1-1/4 CL 300 PURGE PADDLE BLIND
SCALE 1:0.75		DIMENSIONS & TOLERANCES TO BE IN ACCORDANCE WITH ASME B16.48		
SIZE C		DRAWING NUMBER: 3PPBI		REV 00

4

3

2

1

D

D

C

C

B

B

A

A